



General Specifications & Technical Information

A-LINE SLIMLINE SLIMLINE-D

General Technical Information

Conforms to:	IEC 947-1, IEC 204-1, VDE 0435, IEC 414
Quality certification:	ISO9001
Isolation group:	VDE 0435
Packaging protection:	IEC 68-2-32, part 2
Creepage & clearance:	VDE 0110 (group C) - units up to 250VAC
DC Supply ripple:	10% max
AC Supply frequency:	50/60Hz (40Hz min, 70Hz max)
Impulse withstand voltage:	4kV (1.2/50 microseconds)
Housing material:	Noryl SE1, Nylon 66, UL94V-2, CTI>600
Protection class:	IP40
Radiated Susceptibility:	IEC 255-22-3, Class III, IEC 801-3, Level 3
Radiated Emission:	CISPR 11, Class B
Conducted Susceptibility:	IEC 255-22-1, Class IV, IEC 801-4, Level 4
Conducted Emission:	CISPR 11, Class B
ESD protection:	IEC 255-22-2, Class III, IEC801-2, Level 3
Storage temperature:	-50°C to +50°C
Operating temperature:	-20°C to +50°C

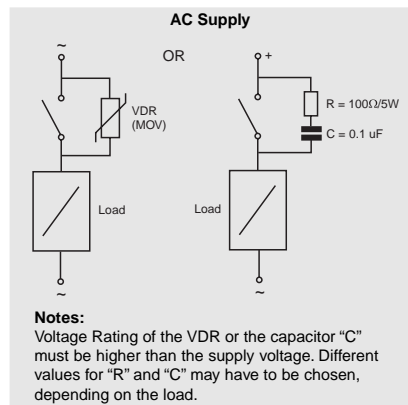
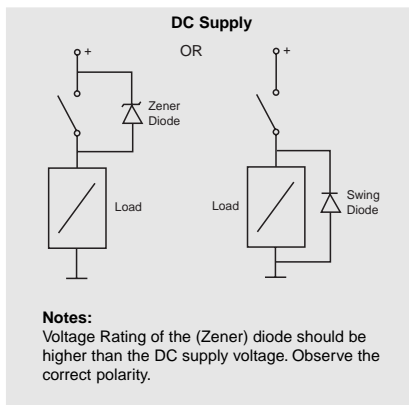


Internal Relay Specifications

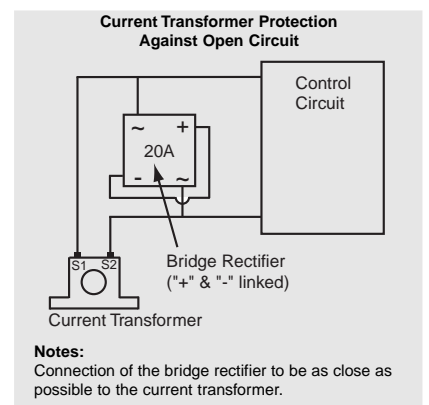
	SLIMLINE		SLIMLINE-D		A-LINE	
	SPDT	DPDT	SPDT	DPDT	SPDT	DPDT
Contact Rating						
Max. Operating Power	2500VA	1760VA	2500VA	1760VA	2500VA	1760VA
	10A	8A	10A	8A	10A	8A
Max. Operating Voltage	380VAC	380VAC	400VAC	380VAC	400VAC	380VAC
Electrical Contact Life (full load)	200 000	150 000	50 000	50 000	50 000	50 000
Contact Resistance	< 50mΩ	<100mΩ	< 50mΩ	<100mΩ	< 50mΩ	<100mΩ
General						
Max. Switching Frequency (full load)	600/h		450/h	360/h	450/h	360/h

ALL UNITS	
Breakdown Voltage (contact to contact)	> 1000V eff (r.m.s.)
Breakdown Voltage (contact to coil)	> 4000V eff (r.m.s.)
Contact Material	AgCdO
Insulation Group	C/250V to VDE 0110
Creepage & Clearance between contacts & coil	> 8mm to VDE 0631
Conforms to	VDE 0435

Spark Quenching

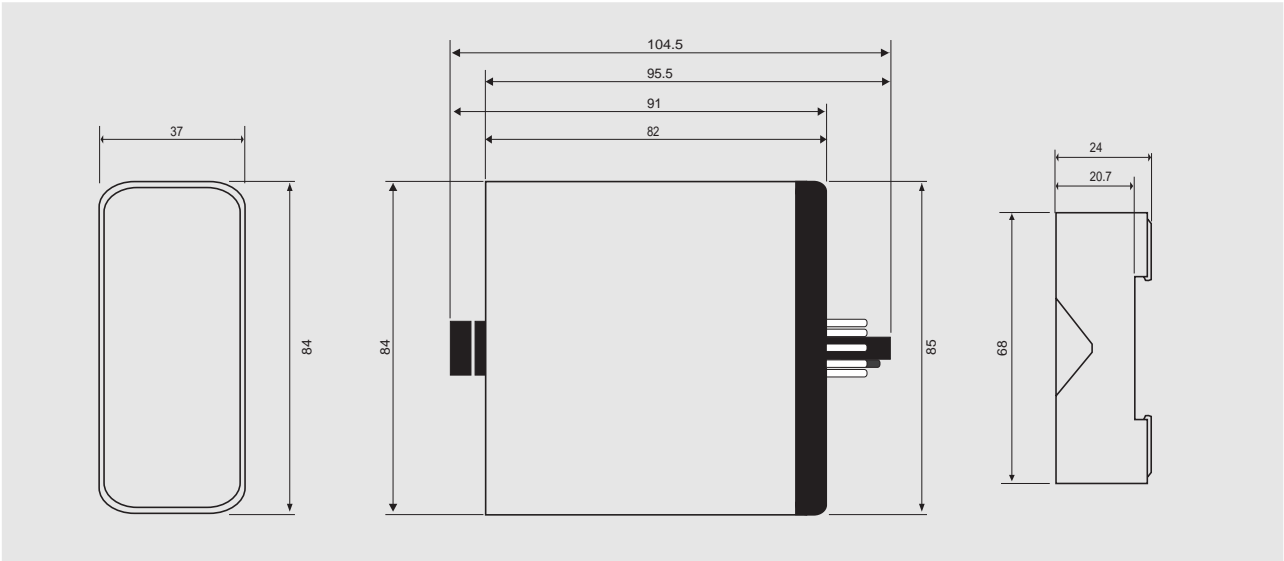


CT Protection

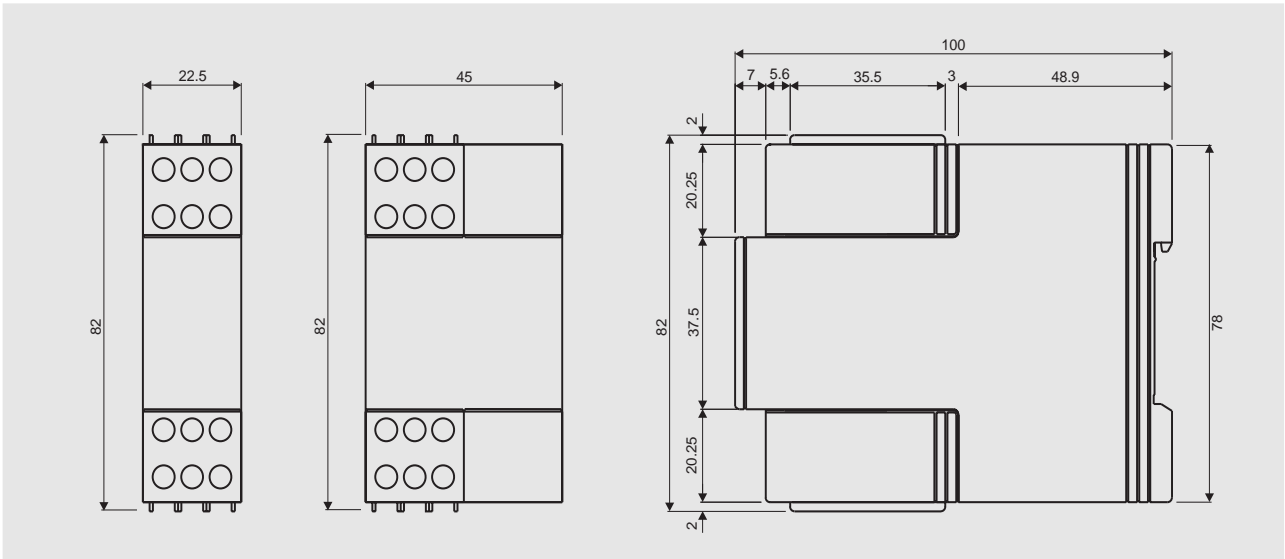


Housing Dimensions (mm)

SLIMLINE



SLIMLINE-D



A-LINE

