

James Hamilton Electrical Pty Ltd (Inc in Qld) A.C.N. 010 848 389 trading as

# ***Power Drive Systems***

***Generator Control Specialists***

48A Ainsdale Street  
West Chermshire, Qld 4032  
Australia  
email: [info@powersystems.com.au](mailto:info@powersystems.com.au)

Telephone: 0500 800 225  
Facsimile: 3350 1654  
Mobile: 0427 22 00 18

P.O. Box 30  
Grange, Qld 4051  
Australia  
[www.powersystems.com.au](http://www.powersystems.com.au)

## **POWER MODULE**

380.S.001 60AMP

# POWER DRIVE SYSTEMS

## POWER MODULE

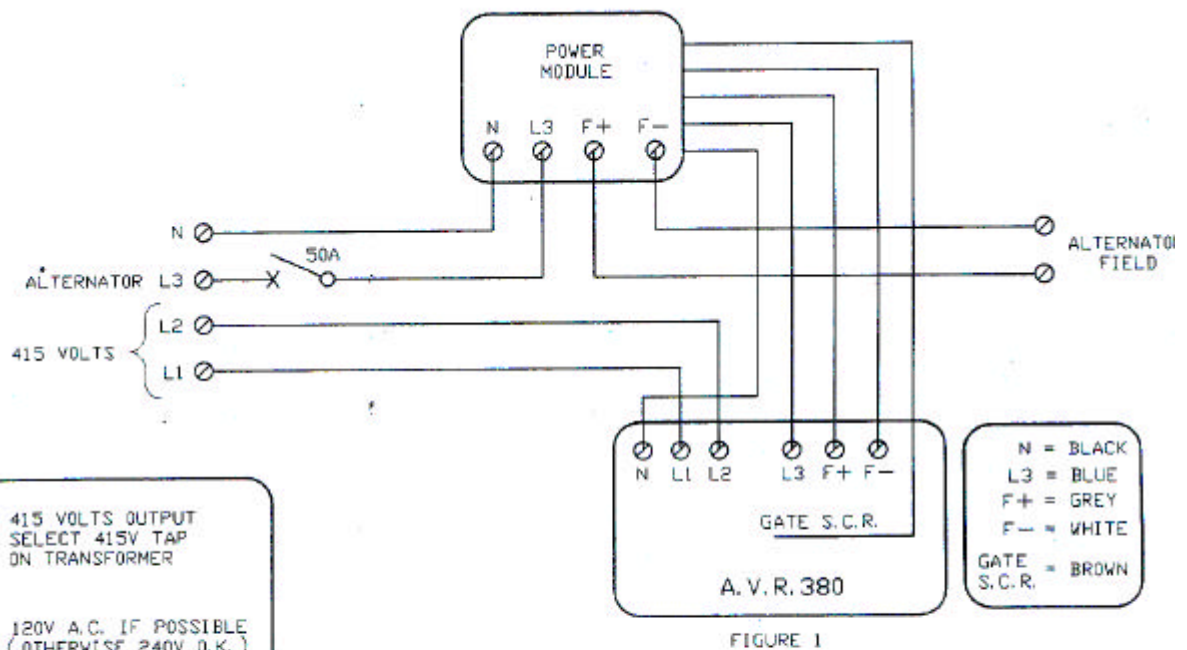
### 1. INTRODUCTION

The Genast Power Module is an optional power device which extends the current rating of an AVR 380 regulator. The power module replaces the power device on the AVR 380. The SCR is replaced by a remote SCR fitted to a large heatsink, and terminals.

### 2. CONNECTION

Refer to figure 1 for connection details. Note if supplied loose, the gate wire of the original SCR is cut and (brown wire) reconnected to the new SCR, wire A.

### 3. CONNECTION DETAILS



L1 } 415 VOLTS OUTPUT  
L2 } SELECT 415V TAP  
ON TRANSFORMER

L3 120V A.C. IF POSSIBLE  
(OTHERWISE 240V O.K.)

**PLEASE NOTE**

IF FIELD IS LESS THAN 1Ω  
N & L3 MUST COME FROM  
A LOW VOLTAGE SUPPLY  
APPROX. 208 - 120V.  
L1 & L2 CAN STILL SENSE 415V.

**POWER DRIVE SYSTEMS**

**POWER MODULE**

**WARRANTY CLAIM PROCEDURE**

- (a) On identifying a possible component fault advise the company in writing the model and serial number of the component and major assembly it is part of as well as fault details.
- (b) Remove and return the faulty component to the company following any tests or checks requested by the company.

**BASIC WARRANTY CONDITIONS**

- (a) The warranty is a 12 month back to base warranty where the customer is liable for the re delivery costs.
- (b) Items modified without the companies knowledge or approval may not be warrantable.
- (c) If the company is required to inspect / remove or reinstall any part of the goods, the customer will be liable for any out of pocket expenses.
- (d) Major third party items such as engines and alternators are subject to the original manufacturers warranty only.
- (e) The warranty does not cover inter alias, loss of damage due to accident misuse or fair wear and tear.

---

**WARRANTY REGISTRATION**

**CUSTOMER NAME:** \_\_\_\_\_

**ADDRESS:** \_\_\_\_\_

**TELEPHONE No:** \_\_\_\_\_ **FAX No:** \_\_\_\_\_

**ITEM MODEL No:** \_\_\_\_\_ **SERIAL No:** \_\_\_\_\_

**SUPPLIER NAME:** \_\_\_\_\_

**DATE PURCHASED:** \_\_\_\_\_